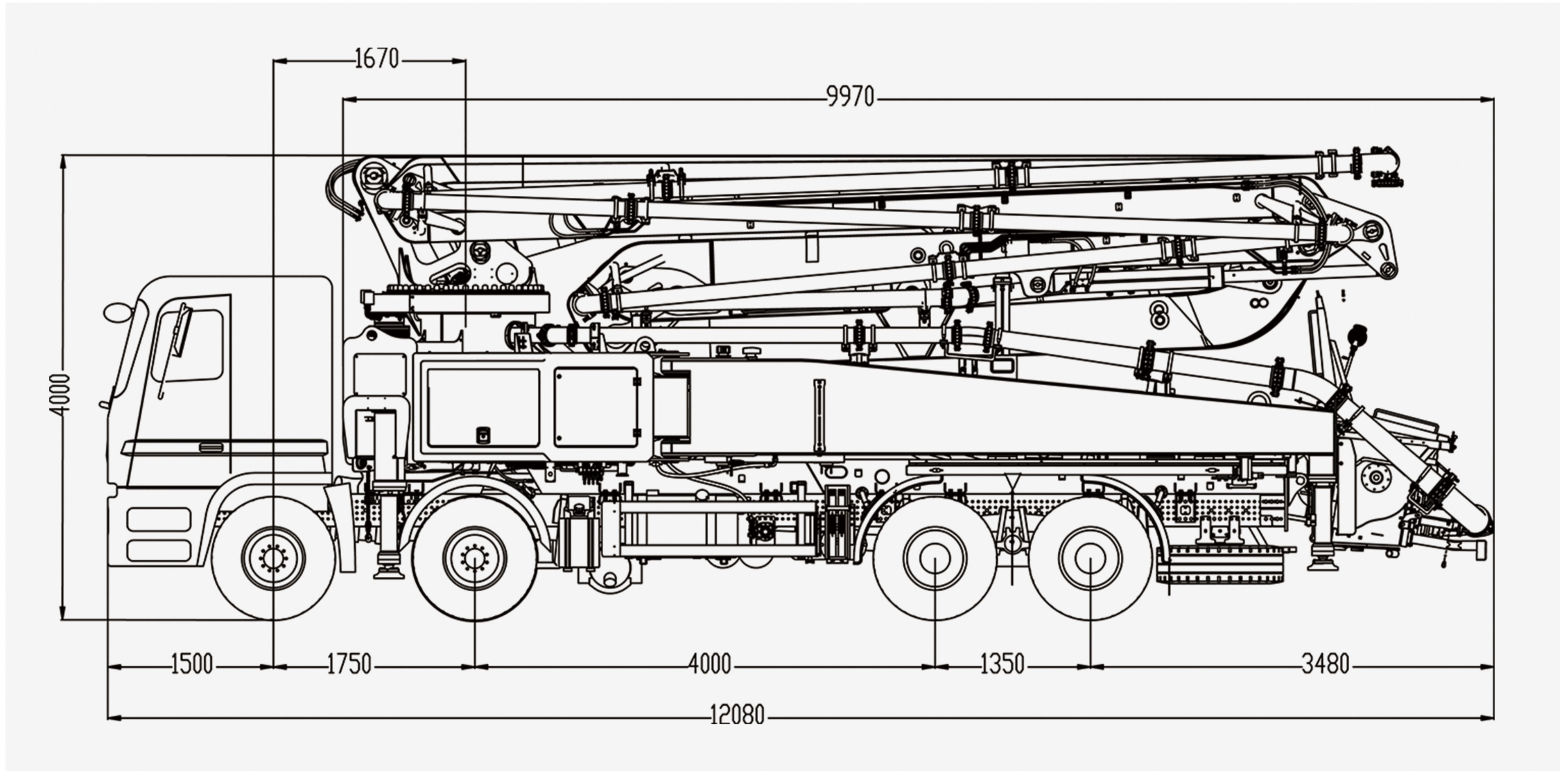


HB43V

TRUCK-MOUNTED CONCRETE PUMP
MANUFACTURED BY XCMG SCHWING



Note: Dimensions and weights depend on truck and equipment. Dimensions in mm.

Technical Data

| Pump | | | |
|-----------------------------------|-------------------|--|------------|
| Concrete output max. | m ³ /h | | 170 |
| Pressure on concrete max. | MPa | | 10.2 |
| Maximum aggregate diameter | mm | | 40 |
| Concrete cylinder diameter/stroke | mm | | 260/2000 |
| Strokes | 1/min. | | 25~27 |
| Concrete valve | | | Rock valve |
| Hydraulic system type | | | Open |

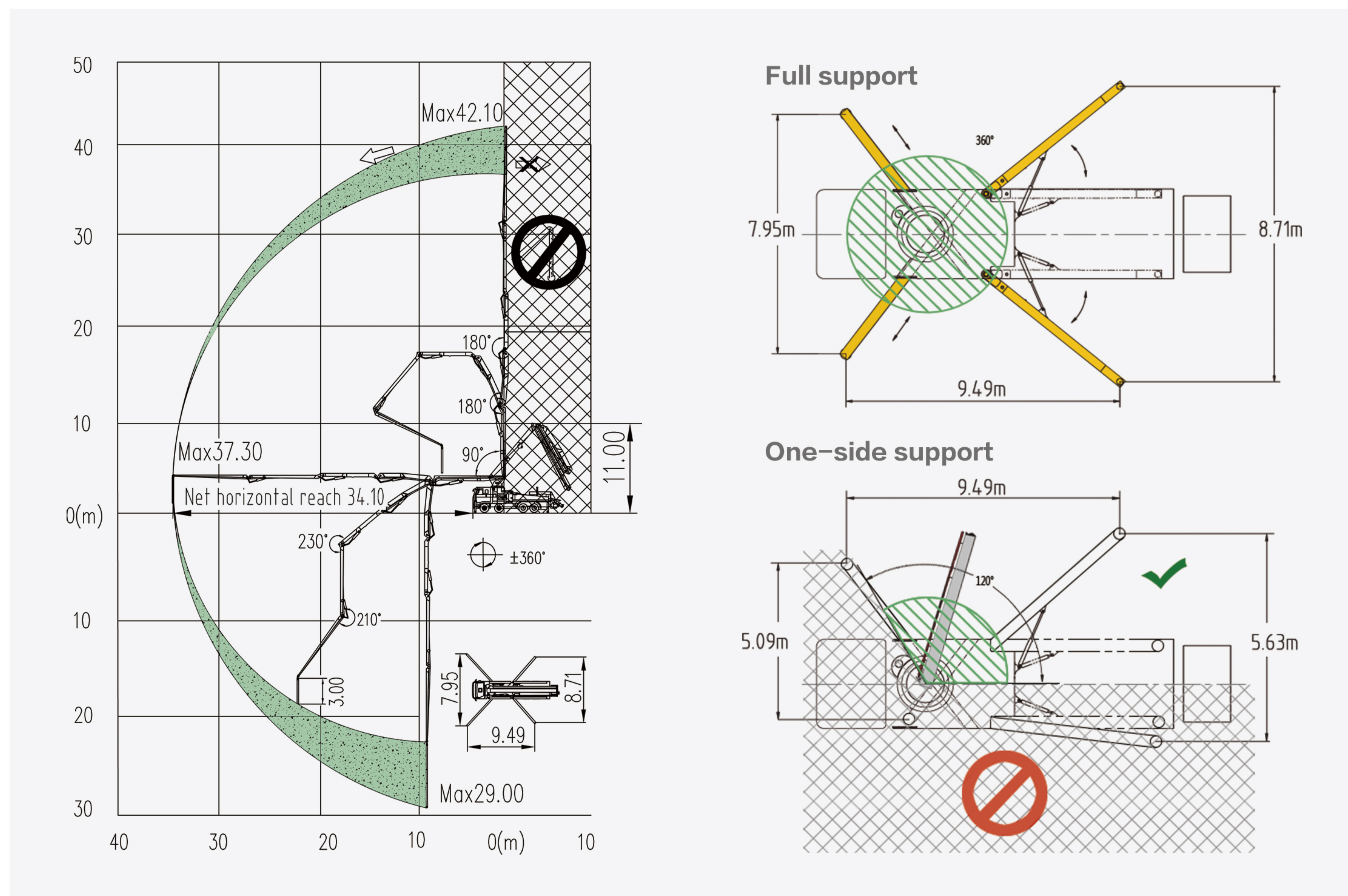
| Support | | | |
|------------------|-----------------------|----|------|
| Full support | Outrigger width,front | mm | 7950 |
| | Outrigger width,rear | mm | 8710 |
| | Outrigger width,side | mm | 9490 |
| One-side support | Outrigger width,front | mm | 5090 |
| | Outrigger width,rear | mm | 5630 |
| Load | Outrigger load,front | kN | 210 |
| | Outrigger load,rear | kN | 210 |

Note: All data maximum theoretical

| Boom | | | |
|---|----|--|-------|
| Reach height | m | | 42.10 |
| Horizontal reach | m | | 37.30 |
| Net horizontal reach | m | | 34.10 |
| Reach depth | m | | 29.00 |
| Slewing range | ° | | ±360 |
| Diameter of delivery pipe | mm | | 125 |
| Unfolding height | m | | 11.00 |
| Quantity and folding type | | | 5RZ |
| Length of end hose | m | | 3.00 |
| 1 st section unfolding angle | ° | | 90 |
| 2 nd section unfolding angle | ° | | 180 |
| 3 rd section unfolding angle | ° | | 180 |
| 4 th section unfolding angle | ° | | 230 |
| 5 th section unfolding angle | ° | | 210 |
| 1 st section length | mm | | 8150 |
| 2 nd section length | mm | | 6334 |
| 3 rd section length | mm | | 6600 |
| 4 th section length | mm | | 8313 |
| 5 th section length | mm | | 8598 |



Working Range



Configuration Features

Overall Structure

- 5RZ bionic folding boom
- NDT of boom critical weld seam
- Large rigid hollow turret
- Two-level X-shaped telescoping outrigger
- Pass-through delivery pipe support

Pumping System

- Rock valve pumping technology
- Electric control reversing
- Central pump elastic suspension
- Automatic wear ring compensation
- Piston one-key return

Hydraulic System

- SCHWING main valve
- Open hydraulic system
- Large displacement hydraulic control cooling system
- Integrated hydraulic control system
- Full-flow hydraulic oil filtration

Delivery System

- Streamline pipe arrangement
- Anti-caking hopper
- Large diameter climbing pipe
- Large and medium-sized delivery pipe elbow
- Assisted opening feed hopper cover

Control System

- SCHWING intelligent control technology
- Remote control and fault diagnosis
- SCHWING's 3rd generation energy-saving technology
- Grating switch detection
- Outrigger Limited warning

Others

- Water tank capacity 740L
- Water pipe length 20m
- Outlet pressure(7Mpa) of water gun
- One-key pneumatic greasing of lubrication system
- One-side operation function

